



Foam-Filled Shutters for Privacy and Comfort

INSULATED COMFORT

European-style shutter with slats made of double-wall foam-filled aluminum for upgraded insulation and energy-efficient protection.

ENHANCED PRIVACY

Expertly roll-formed, offering a barrier against noise, weather, and intrusions while ensuring privacy and providing excellent shading from the sun.

LIGHT SECURITY

Providing a physical barrier to would-be intruders, AL2 offers flexible, light-weight protection for your home.

ILLUMINATING ATMOSPHERE

Discreet light slits balance privacy with a soft glow of natural light, providing illumination for a comfortable ambiance.

SMOOTH OPERATION

Designed for noise-free, peaceful operation that creates a relaxing environment and a worry-free experience.

Features Summary

DIMENSIONS

- 24 - 180 in. Width (clear opening)
- 24 - 135 in. Height (clear opening)

SLATS

- Foam-filled double wall extruded 6063-T6 aluminum 0.343 in. thick
- Slat height 1.57 in.

GUIDE RAILS

- 6063-T6 Aluminum lined with felts
- 2.50 in. W x 1.07 in. D (Maxi)
- 2.14 in. W x 0.88 in. D (Mini)

BOTTOM BAR (BASE SLAT)

- General (Manual and Motorized)
- Slide lock (Manual)

BOX HOUSING

- 3105-H12 alloy 0.034 in. thick 6063 - T6 aluminum in 6, 6.5, 7, and 8 in. sizes

Options Summary

BOX HOUSING SHAPE

- 90° angle (square), 45° angle, or round styles

OPERATOR

- Motor
- Motor with override
- Remote (Hz) motor
- Remote (Hz) motor with override
- Battery (EZ) motor
- Gear
- Manual (Strap Box)

LOCKS

- Base Slat, Slide Lock (silver mechanism)

COLORS

- White, Gray, Bronze, Brown, Beige, and Ivory. Powder and wet paint.
 - (SH - Series Powder coat Per AAMA 2603-13, DFT 60 - 110 µm)
 - (H/S Polyester 221T2602 DuraCoat wet paint, DFT 24 - 28 µm)
- Clear (Silver) Anodized (Type II , Class 2, 10µm)

MOUNT

- Wall, Trap, Build-out mounting to structure

WARRANTY



*Applies to residential applications only;
Customers who follow Use and Care Guidelines.

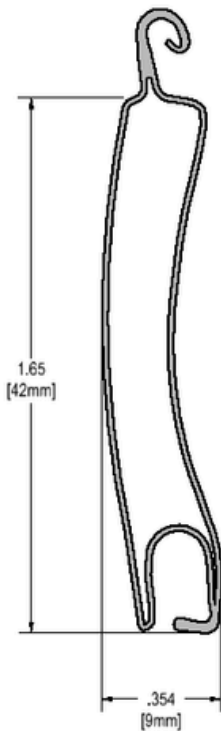
System Details (Slats)



Slat Overview

QMi AL2 slat winds tightly and is designed to cover small to medium openings.

Medium density foam is 20% harder than standard foam, offering light-weight strength.

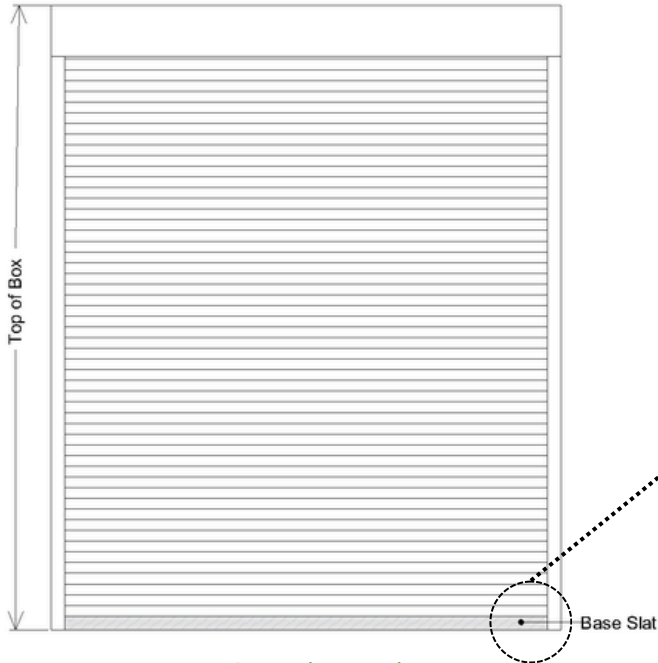


Curtain Details

- Maximum curtain area: 91 sq. ft
- Finished curtain weight: 0.82 lb / sq. ft
- Slats per 1 ft height: 7.3

System Details (Curtain Configurations)

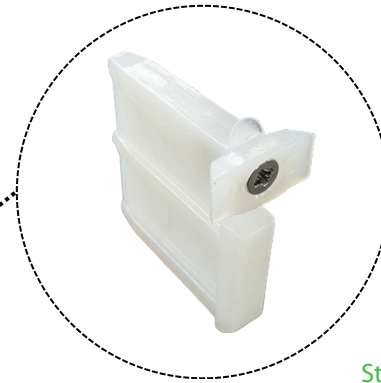
AL2 Elevation Manual (Crank or Strap)



General Manual

Two manual configurations including a slide lock and a stop-insert base slat.

Stop insert acts as a positive stop mechanism when curtain returns to the up position.



Stop Insert (Ref)

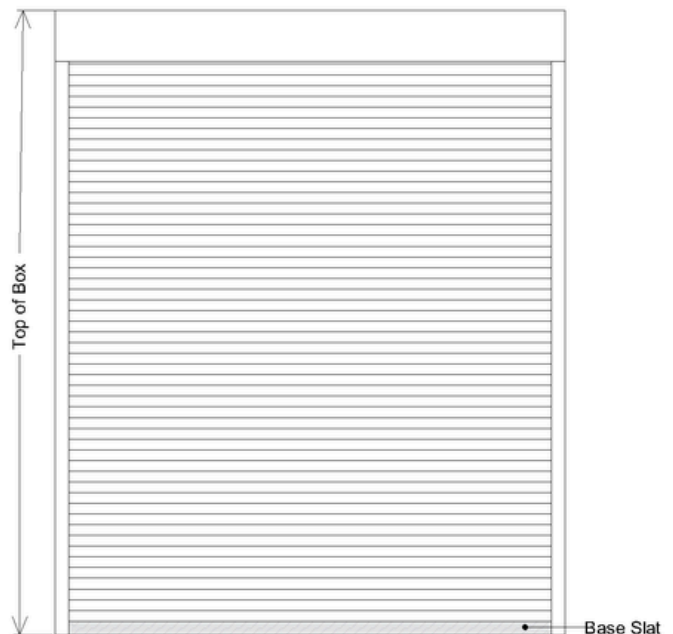
Top of Box (REF)	6 in.	6.5 in.	7 in.	8 in.	10 in.
	55 in.	71 in.	87 in.	118 in.	145 in.

Slat contours enable a discrete box housing size for even taller shutters.

Wrap dimensions and box breaks the same for manual and motorized (no mid-curtain slat options)

Blends into home or commercial decor.

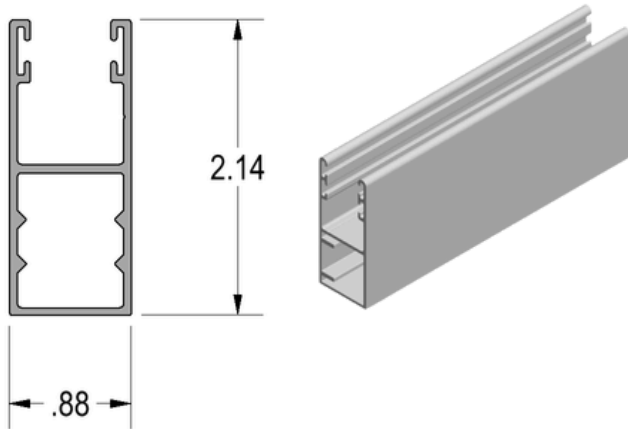
AL2 Elevation (Motorized)



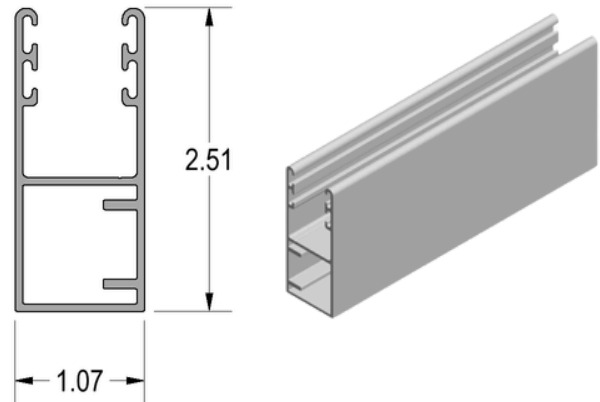
No Slide Lock

System Details (Rails)

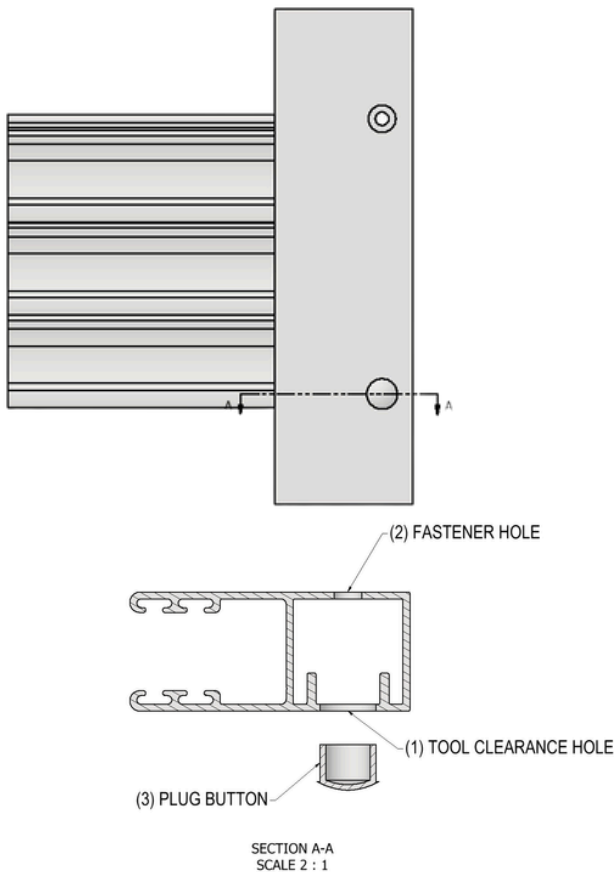
Maxi Rail



Mini Rail



Two (2) rail options to support flexible installation.
Maxi rail for higher-strength, dust and debris resistance.
Mini rail for tight spaces, constrained dimensions.



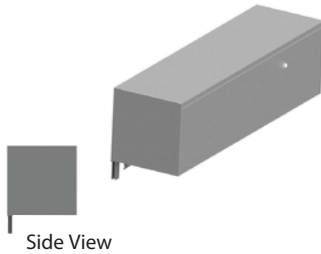
Holes pre-drilled for ease of installation.

On-center distance and hole pattern either standard or tailored based on customer request. (Where Applicable)

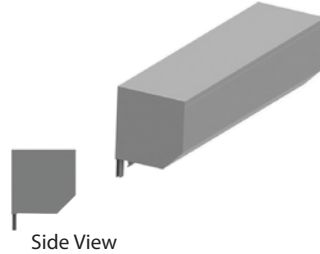
Holes are drilled through inner and outer walls to ease installation. Plug buttons are used on outer wall once installation is complete.

Option Details (Box Housing)

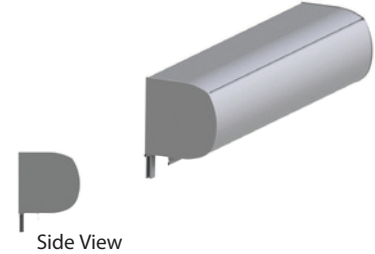
90° Housing



45° Housing



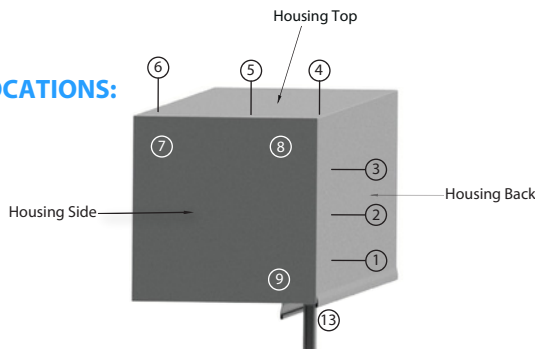
Round (Rondelo) Housing



Housing choices to match building aesthetics.

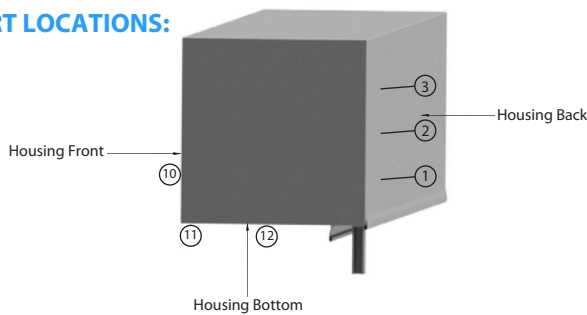
Cable and Override / Gear Locations

WIRE LOCATIONS:



Motor power cables can exit housing assembly in multiple locations

VERRIDE / GEAR PORT LOCATIONS:



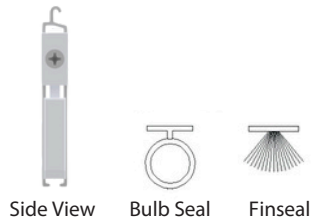
Override pole or gear crank operator can be used across most locations

(Typ: Reference Housing Detail)

Shutter system provides flexibility in power and pole locations to aid in installation and optimize aesthetics across range of opening and mounting types.

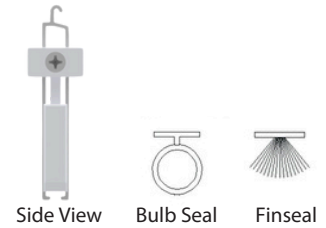
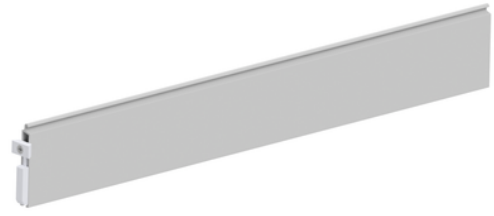
Option Details (Locks)

General Base Slat (Motorized)



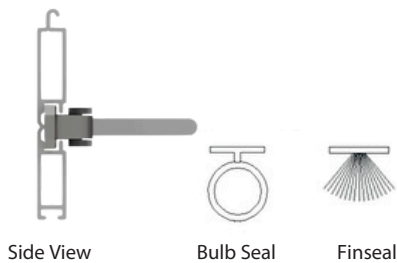
(Typ: Motorized)

General Base Slat (Manual)



(Typ: Floor)

Slide Lock (Manual)



(Typ: Window, Kneewall, Floor)

Range of lock options for a variety of use cases.

- Operator-driven locking for both motorized and gear or strap operations. Base-slat insert acts as a stopping mechanism in housing during manual operation.
- Supplemental mechanical locking with slide lock can add an additional layer of protection. (manual only)

Option Details (Operators and Colors)

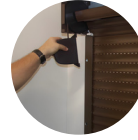
Operators

MANUAL (GEAR)



Gear operation with crank pole for precise manual control.

MANUAL (STRAP)



Strap-box operation for speed and tight space activation.

MOTOR (WIRED) IN STANDARD AND OVERRIDE OPTIONS



Wall switch activation for day to day reliability.

BATTERY (EZ) MOTOR AND MOUNTING BRACKETS



Low voltage battery operated for minimal wiring and maximum flexibility.

WIRELESS REMOTE MOTOR IN STANDARD AND OVERRIDE OPTIONS



Remote operation and integration with home automation systems.

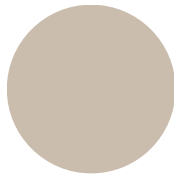


Motorized and manual operators to meet various applications and opening types. QMi partners with industry-leading motor manufacturers, including Somfy® and OZ Roll® to offer the highest-quality drive, software, and control systems.

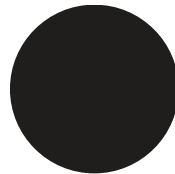
Colors and Finish



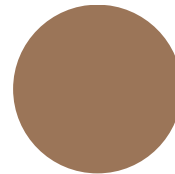
Clear Anodized
(Silver)



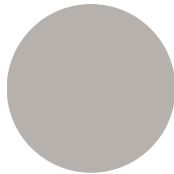
Beige



Bronze



Brown



Gray



Ivory



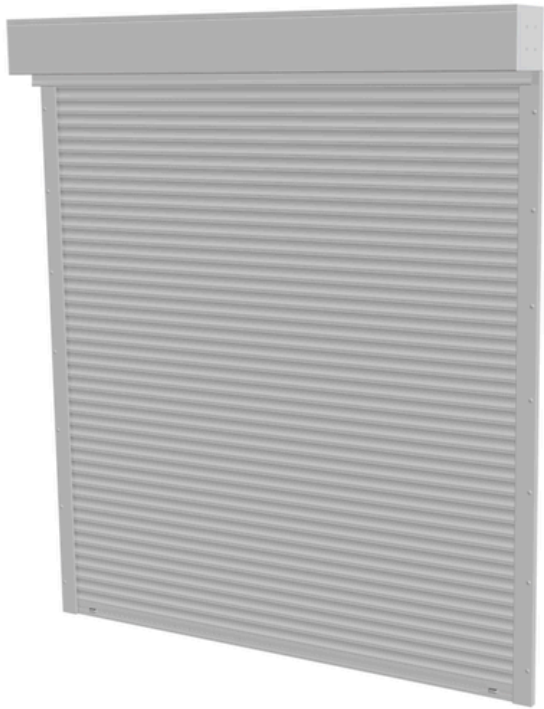
White



Custom

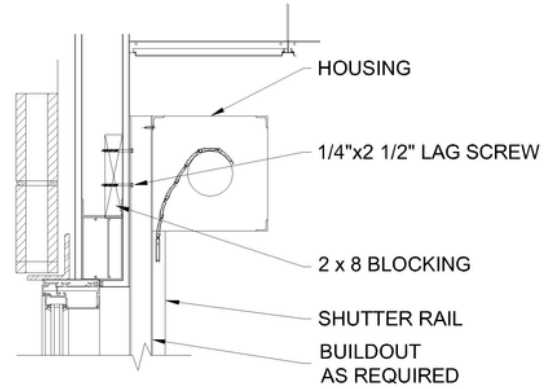
Powder coat and wet paint options for both standard and custom colors are available. Contact your QMi Sales or Customer Service Representative for pricing and lead times on custom colors.

Head Details, Below the Ceiling (Mounting)



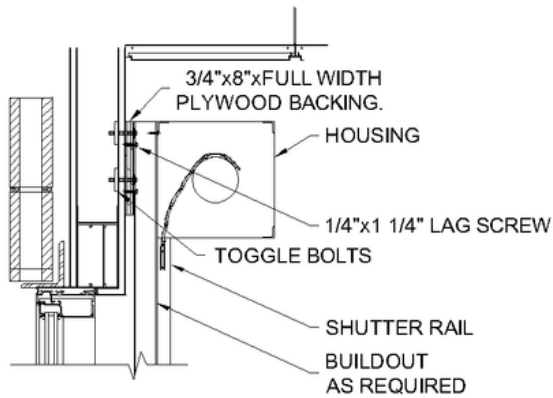
System designed for rapid mounting to a range of substrates in multiple configurations.

On Framing with Blocking

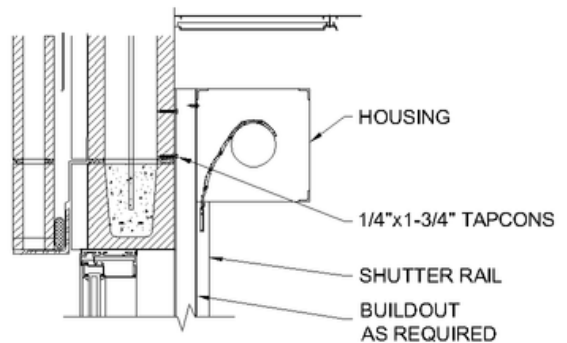


Mounting to supplemental (provided) build-out structure for strength or clearance.

On Framing

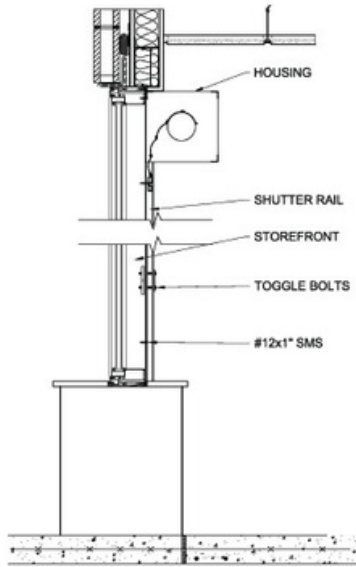


On Block

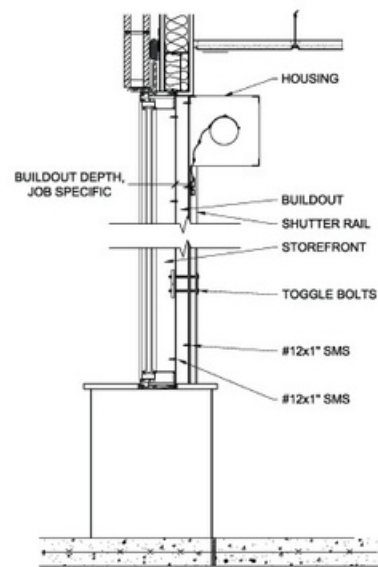


Counter (Mounting)

To Counter, without Buildout



To Counter, with Buildout



Note: Additional examples found in Architectural Mounting Details