



Committed to you

ROLLING SHUTTERS



ROLLING SHUTTERS

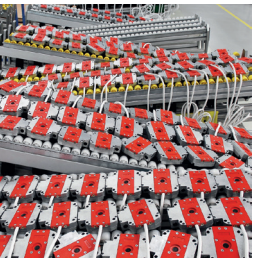
MOTORS, CONTROLS, AND MOUNTING ACCESSORIES



A BRAND OF **SOMFY** GROUP
THE BRAND DEDICATED TO DOOR AND WINDOW PROFESSIONALS

WHO ARE WE ?

MANUFACTURERS OF MOTORS AND AUTOMATIC CONTROLS
FOR ROLLING SHUTTERS, SCREENS, AWNINGS, AND
INDUSTRIAL AND COMMERCIAL CLOSURES SINCE 1952.

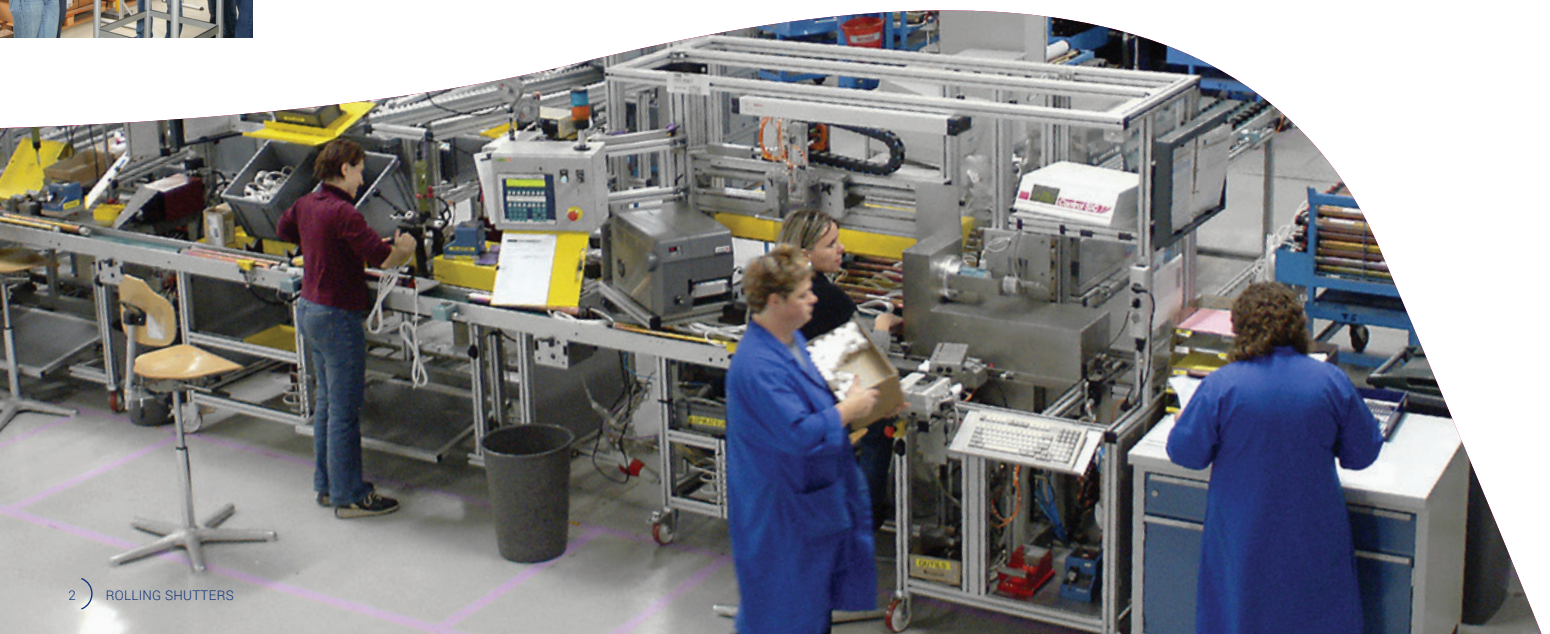


For 70 years, SIMU has built on its industrial knowledge and expertise, and founding values to offer customers all over the world quality products and services.

INVENTOR OF THE TUBULAR MOTOR FOR ROLLING SHUTTERS IN 1959!

In 1959, SIMU invented the tubular motor for rolling shutters, a technology which has since become the market standard. Since then, we have continued to expand our knowledge and our expertise of many markets and of our customers' activities.

With 70 years of experience, SIMU has become a reference brand in France and on the international stage!



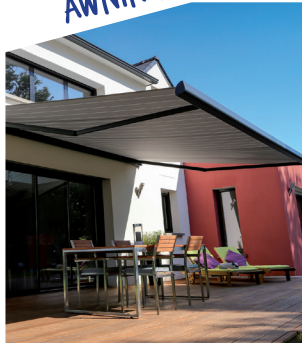


OUR AREAS OF EXPERTISE

ROLLING SHUTTERS



AWNINGS



SCREENS



COMMERCIAL & INDUSTRIAL DOORS



CONTROL SYSTEMS



SIMU AT A GLANCE



117 M€

OF TURNOVER
IN 2021



2006

OUR 1ST
SOLAR OFFER



800 kg

MAX. LOAD LIFTED BY
OUR INDUSTRIAL MOTORS



90%

OF OUR CUSTOMERS HAVE BEEN
LOYAL FOR OVER 10 YEARS



260

EMPLOYEES



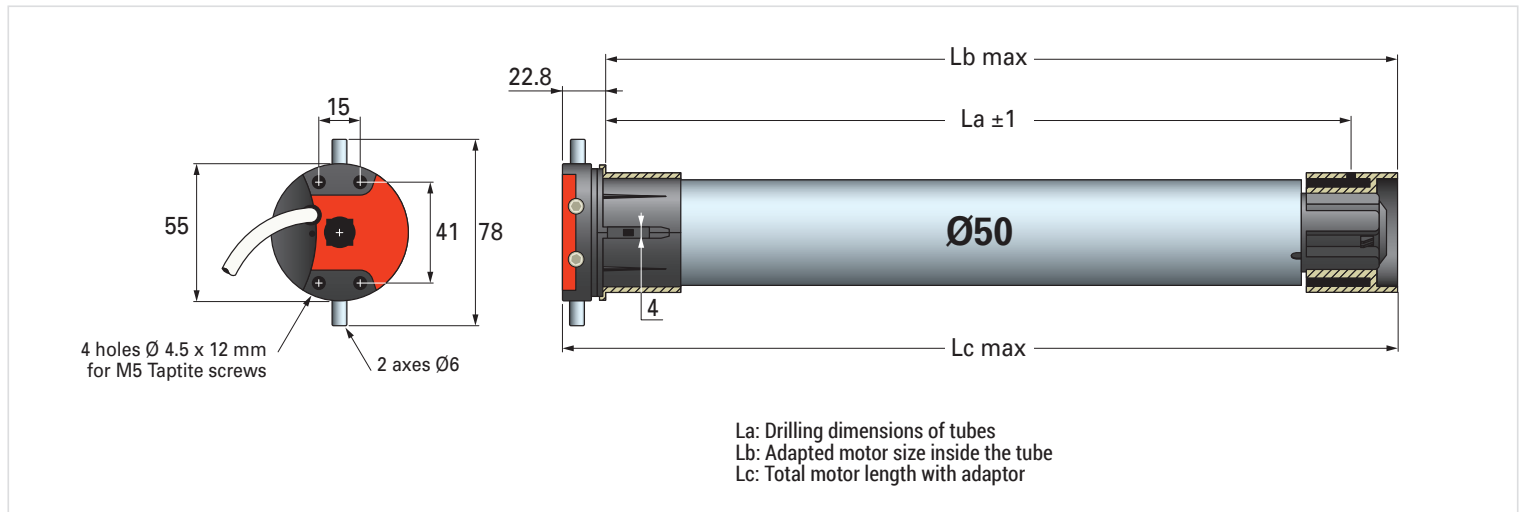
45%

the share of export T/O
IN 76 COUNTRIES

T5 MOTOR WIRED



- PROGRESSIVE END-LIMIT SYSTEM
- LIMITS SET ON THE MOTOR HEAD



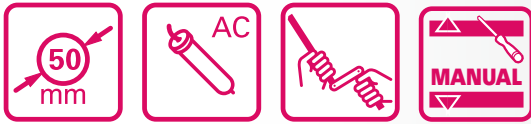
POWER SUPPLY 120V - 60 Hz, CABLE 2.5 METERS

DESCRIPTION	TORQUE	SPEED	POWER	CURRENT	La	Lb	Lc	WEIGHT	REFERENCE
T5 - 10/12	10 Nm	12 rpm	80 W	0.7 A	483 mm	496 mm	519 mm	2.04 kg	2000649
T5 - 15/18	15 Nm	18 rpm	145 W	1.1 A	505 mm	518 mm	541 mm	2.25 kg	2000646
T5 - 20/12	20 Nm	12 rpm	130 W	1.1 A	505 mm	518 mm	541 mm	2.28 kg	2000650
T5 - 25/18	25 Nm	18 rpm	180 W	1.6 A	583 mm	596 mm	619 mm	2.28 kg	2000647
T5 - 30/12	30 Nm	12 rpm	170 W	1.5 A	583 mm	596 mm	619 mm	2.5 kg	2000651
T5 - 35/18	35 Nm	18 rpm	250 W	2.1 A	583 mm	596 mm	619 mm	2.77 kg	2000648
T5 - 40/12	40 Nm	12 rpm	210 W	1.8 A	583 mm	596 mm	619 mm	2.76 kg	2000652
T5 - 50/12	50 Nm	12 rpm	250 W	2.1 A	583 mm	596 mm	619 mm	2.48 kg	2000653

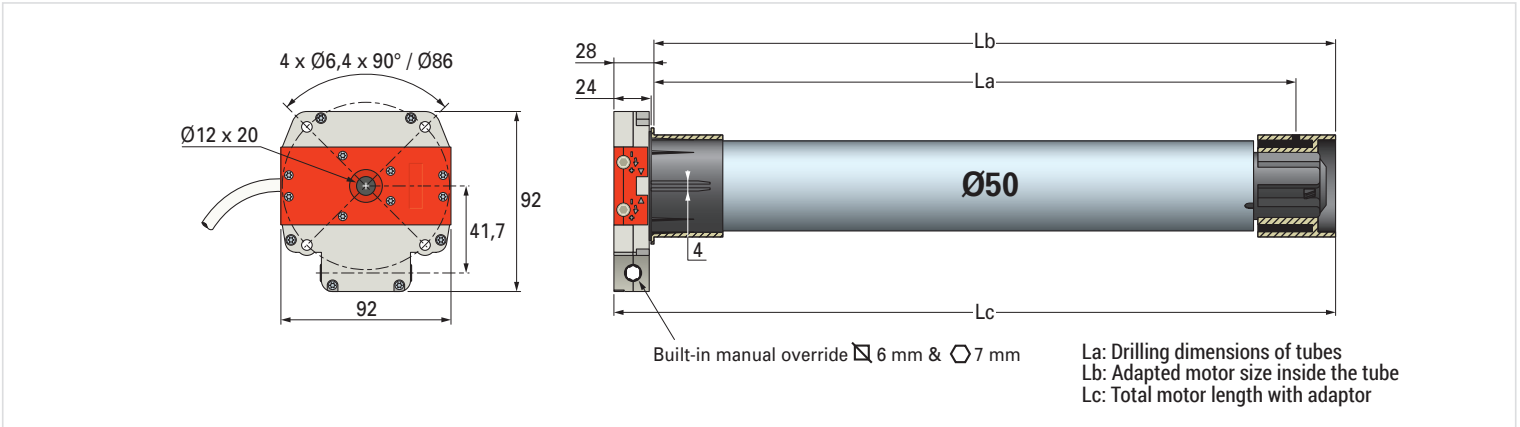
- POWER SUPPLY** 120 Volts - 60 Hz
- THERMAL CUT-OUT** 5 minutes (120V)
- PROGRESSIVE END-LIMIT** Capacity of 28 revolutions
- PROTECTION INDEX** IP 44
- POWER CABLE 120 V** 2.5 meters
- BASE DIAMETER OF THE CROWN** Ø47 mm
- MOTOR HEAD THICKNESS** 22.8 mm
- INSULATION CLASS** Class I motor
- COMPLIANCE** UL325

CERTIFICATIONS

DMI5 MOTOR WIRED



- BUILT-IN MANUAL OVERRIDE
- PROGRESSIVE END-LIMIT SYSTEM
- PASS-THROUGH LIMITS ALLOW EASY LIMIT SETTING FROM EITHER SIDE
- COMPACT MOTOR HEAD ONLY 24 MM THICKNESS



POWER SUPPLY 120V - 60 Hz, CABLE 2.5 METERS

DESCRIPTION	TORQUE	SPEED	POWER	CURRENT	La	Lb	Lc	WEIGHT	REFERENCE
DMI 5 - 10/12	10 Nm	12 rpm	80 W	0.8 A	576 mm	589 mm	617 mm	2.59 kg	2000772
DMI 5 - 15/18	15 Nm	18 rpm	145 W	1.3 A	576 mm	589 mm	617 mm	2.77 kg	2000769
DMI 5 - 20/12	20 Nm	12 rpm	130 W	1.1 A	576 mm	589 mm	617 mm	2.8 kg	2000773
DMI 5 - 30/12	30 Nm	12 rpm	170 W	1.5 A	576 mm	589 mm	617 mm	3.01 kg	2000774
DMI 5 - 35/18	35 Nm	18 rpm	250 W	2.1 A	646 mm	659 mm	687 mm	3.28 kg	2000771
DMI 5 - 40/12	40 Nm	12 rpm	210 W	1.8 A	646 mm	659 mm	687 mm	3.28 kg	2000775
DMI 5 - 50/12	50 Nm	12 rpm	250 W	2.1 A	646 mm	659 mm	687 mm	3.3 kg	2000776

- POWER SUPPLY 120 Volts - 60 Hz
- THERMAL CUT-OUT 5 minutes (120V)
- PROGRESSIVE END-LIMIT Capacity of 28 revolutions
- MANUAL OVERRIDE GEAR RATIO 27/1
- PROTECTION INDEX IP 44
- POWER CABLE 120 V 2.5 meters
- BASE DIAMETER OF THE CROWN Ø47 mm
- MOTOR HEAD THICKNESS 24 mm
- INSULATION CLASS Class I motor
- COMPLIANCE UL325

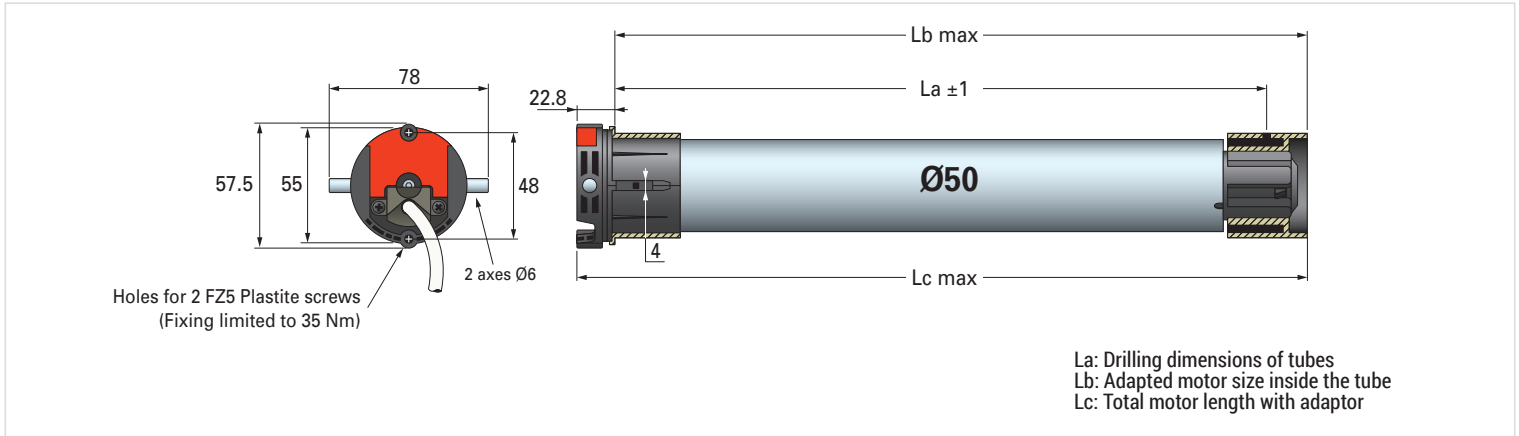
CERTIFICATIONS

T5 HZ.02 MOTOR RADIO ELECTRONIC



SIMU-HZ
technology

- MOTOR WITH BUILT-IN SIMU-HZ RADIO RECEIVER
- ELECTRONIC END-LIMIT SYSTEM
- REMOTELY SET THE UP AND DOWN END-LIMITS FROM A SIMU-HZ TRANSMITTER (EXCEPT A SEQUENTIAL HZ TRANSMITTER)
- USER SETTABLE FAVORITE INTERMEDIATE POSITION



POWER SUPPLY 120V - 60 Hz, CABLE 2 METERS

DESCRIPTION	TORQUE	SPEED	POWER	CURRENT	La	Lb	Lc	WEIGHT	REFERENCE
T5 Hz02 - 10/12	10 Nm	12 rpm	80 W	0.7 A	583 mm	596 mm	619 mm	2.25 kg	2006352
T5 Hz02 - 15/18	15 Nm	18 rpm	145 W	1.3 A	583 mm	596 mm	619 mm	2.3 kg	2005133
T5 Hz02 - 20/12	20 Nm	12 rpm	130 W	1.1 A	583 mm	596 mm	619 mm	2.3 kg	2006353
T5 Hz02 - 25/18	25 Nm	18 rpm	180 W	1.6 A	657 mm	670 mm	693 mm	2.6 kg	2005134
T5 Hz02 - 30/12	30 Nm	12 rpm	170 W	1.5 A	657 mm	670 mm	693 mm	2.6 kg	2005136
T5 Hz02 - 35/18	35 Nm	18 rpm	250 W	2.1 A	657 mm	670 mm	693 mm	2.9 kg	2005135
T5 Hz02 - 50/12	50 Nm	12 rpm	250 W	2.1 A	657 mm	670 mm	693 mm	2.9 kg	2005137

POWER SUPPLY 120 Volts - 60 Hz
THERMAL CUT-OUT 5 minutes (120V)
ELECTRONIC END-LIMIT Limited to 3 min.
PROTECTION INDEX IP 44
POWER CABLE 120V 2 meters, removable
RADIO FREQUENCY 433.42 MHz
SECURE COMMUNICATION Encrypted control orders + Rolling code with 16 million possible combinations
BASE DIAMETER OF THE CROWN Ø47 mm
MOTOR HEAD THICKNESS 22.8 mm
INSULATION CLASS Class I motor
COMPLIANCE UL325

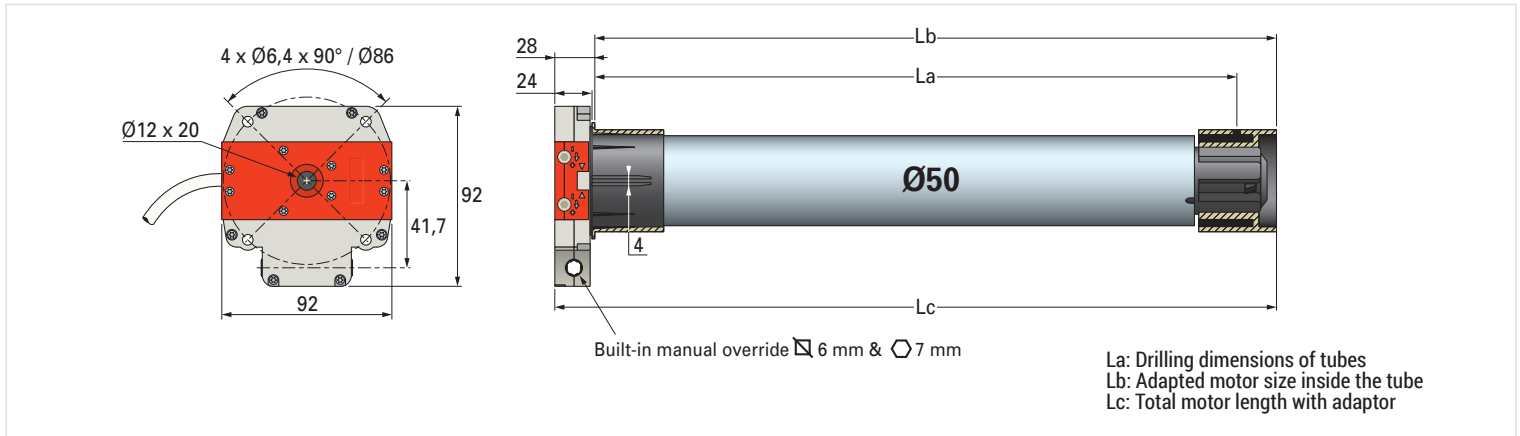
CERTIFICATIONS

DMI5 HZ.01 MOTOR RADIO



SIMU-HZ
technology

- MOTOR WITH BUILT-IN SIMU-HZ RADIO RECEIVER
- BUILT-IN MANUAL OVERRIDE
- PROGRESSIVE END-LIMIT SYSTEM
- PASS-THROUGH LIMITS ALLOW EASY LIMIT SETTING FROM EITHER SIDE
- COMPACT MOTOR HEAD ONLY 24 MM THICKNESS



POWER SUPPLY 120V - 60 Hz, CABLE 6 METERS

DESCRIPTION	TORQUE	SPEED	POWER	CURRENT	La	Lb	Lc	WEIGHT	REFERENCE
DMI5 Hz01 - 15/18	15 Nm	18 rpm	145 W	1.3 A	716 mm	729 mm	757 mm	3.91 kg	2004671
DMI5 Hz01 - 25/18	25 Nm	18 rpm	180 W	1.6 A	756 mm	769 mm	797 mm	4.15 kg	2004672
DMI5 Hz01 - 30/12	30 Nm	12 rpm	170 W	1.5 A	756 mm	769 mm	797 mm	4.2 kg	2004673
DMI5 Hz01 - 35/18	35 Nm	18 rpm	250 W	2.1 A	756 mm	769 mm	797 mm	4.3 kg	2004674
DMI5 Hz01 - 50/12	50 Nm	12 rpm	250 W	2.1 A	756 mm	769 mm	797 mm	4.4 kg	2004675

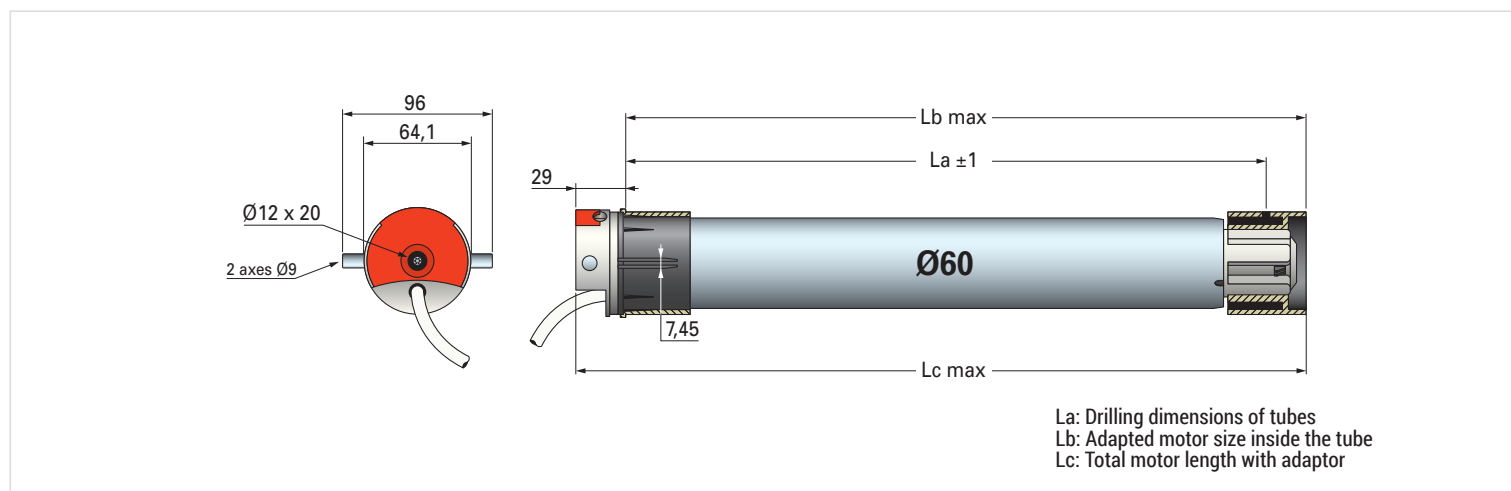
- POWER SUPPLY** 120 Volts - 60 Hz
- THERMAL CUT-OUT** 5 minutes (120V)
- PROGRESSIVE END-LIMIT** Capacity of 28 revolutions
- MANUAL OVERRIDE GEAR RATIO** 27/1
- PROTECTION INDEX** IP 44
- POWER CABLE 120V** 6 meters + NEMA plug
- RADIO FREQUENCY** 433.42 MHz
- SECURE COMMUNICATION** Encrypted control orders + Rolling code with 16 million possible combinations
- BASE DIAMETER OF THE CROWN** Ø47 mm
- MOTOR HEAD THICKNESS** 24 mm
- INSULATION CLASS** Class I motor
- COMPLIANCE** UL325

CERTIFICATIONS c us

T6 MOTOR WIRED



- PROGRESSIVE END-LIMIT SYSTEM
- LIMITS SET ON THE MOTOR HEAD

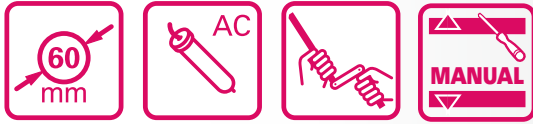


POWER SUPPLY 120V - 60 Hz, CABLE 2.5 METERS

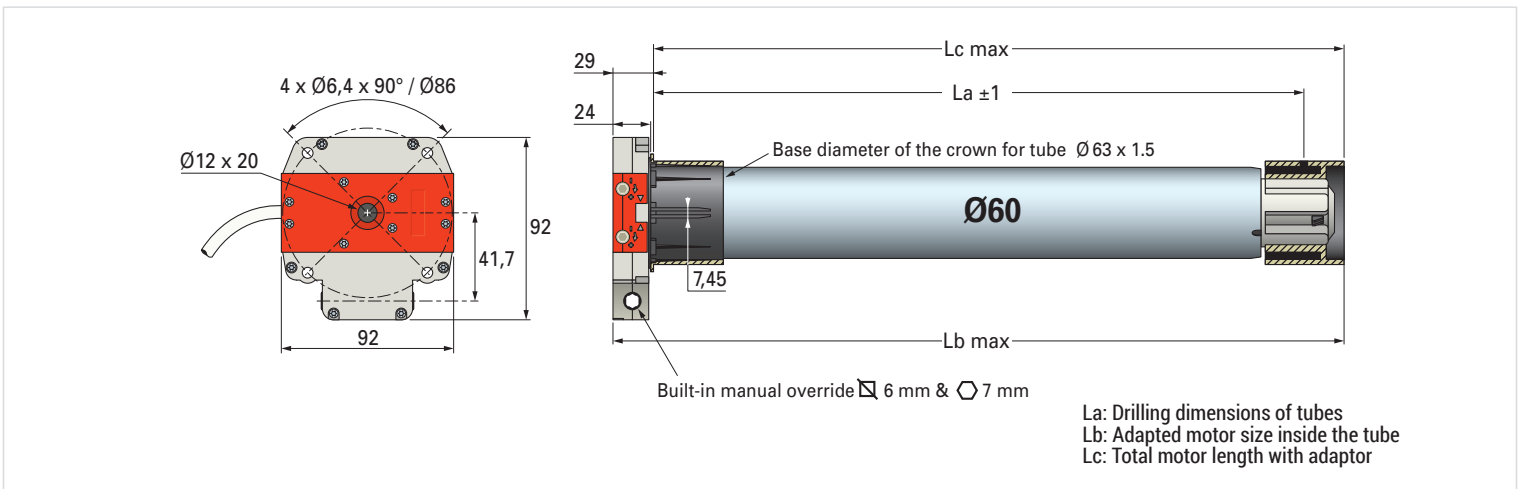
DESCRIPTION	TORQUE	SPEED	POWER	CURRENT	La	Lb	Lc	WEIGHT	REFERENCE
T6 - 60/14	60 Nm	14 rpm	285 W	2.5 A	676 mm	689 mm	718 mm	4.66 kg	2000985
T6 - 80/14	80 Nm	14 rpm	390 W	3.4 A	676 mm	689 mm	718 mm	4.97 kg	2000986
T6 - 100/14	100 Nm	14 rpm	430 W	3.8 A	676 mm	689 mm	718 mm	5.31 kg	2000987

- POWER SUPPLY** 120 Volts - 60 Hz
- THERMAL CUT-OUT** 5 minutes (120V)
- PROGRESSIVE END-LIMIT** Capacity of 23 revolutions
- PROTECTION INDEX** IP 44
- POWER CABLE 120V** 2.5 meters
- BASE DIAMETER OF THE CROWN** Ø60 mm
- MOTOR HEAD THICKNESS** 29 mm
- INSULATION CLASS** Class I motor
- COMPLIANCE** UL325
- CERTIFICATIONS**

DMI6 MOTOR WIRED



- BUILT-IN MANUAL OVERRIDE
- PROGRESSIVE END-LIMIT SYSTEM
- PASS-THROUGH LIMITS ALLOW EASY LIMIT SETTING FROM EITHER SIDE
- COMPACT MOTOR HEAD ONLY 24 MM THICKNESS



POWER SUPPLY 120V - 60 Hz, CABLE 2.5 METERS

DESCRIPTION	TORQUE	SPEED	POWER	CURRENT	La	Lb	Lc	WEIGHT	REFERENCE
DMI 6 - 60/14	60 Nm	14 rpm	285 W	2.5 A	662 mm	675 mm	704 mm	4.87 kg	2001040
DMI 6 - 80/14	80 Nm	14 rpm	390 W	3.4 A	662 mm	675 mm	704 mm	5.18 kg	2001042
DMI 6 - 100/14	100 Nm	14 rpm	430 W	3.8 A	662 mm	675 mm	704 mm	5.54 kg	2001044

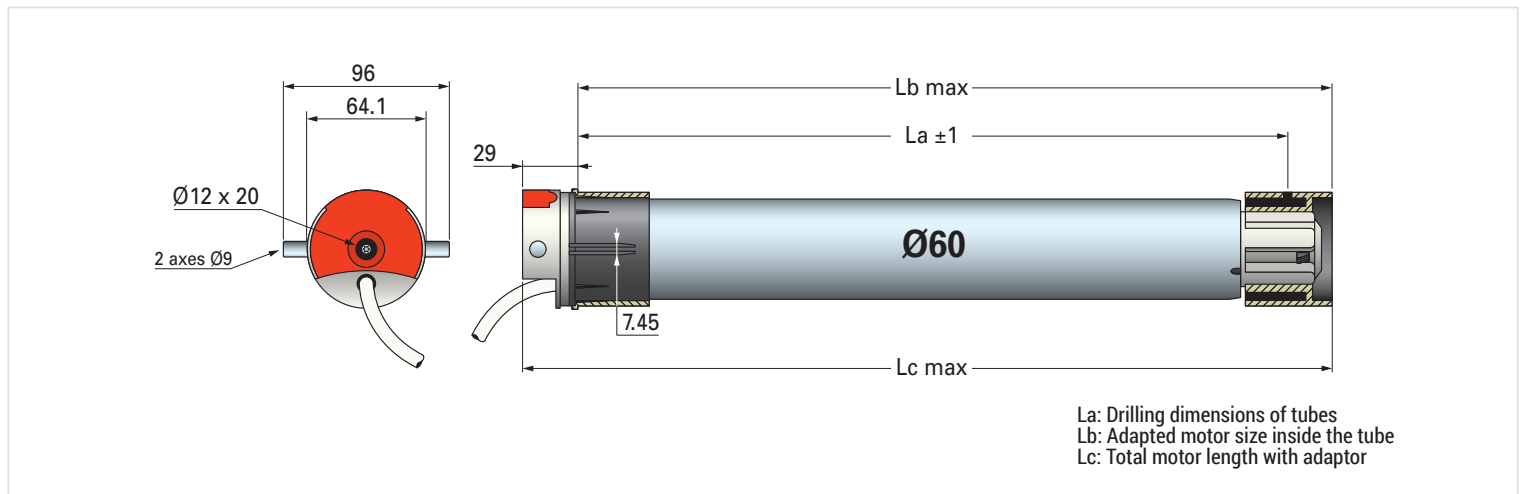
POWER SUPPLY 120 Volts - 60 Hz
THERMAL CUT-OUT 5 minutes (120V)
PROGRESSIVE END-LIMIT Capacity of 28 revolutions
MANUAL OVERRIDE GEAR RATIO 55/1
PROTECTION INDEX IP 44
POWER CABLE 120V 2.5 meters
BASE DIAMETER OF THE CROWN $\varnothing 60 \text{ mm}$
MOTOR HEAD THICKNESS 24 mm
INSULATION CLASS Class I motor
COMPLIANCE UL325

CERTIFICATIONS US

T6 HZ.02 MOTOR RADIO ELECTRONIC



- MOTOR WITH BUILT-IN SIMU-HZ RADIO RECEIVER
- ELECTRONIC END-LIMIT SYSTEM
- REMOTELY SET THE UP AND DOWN END-LIMITS FROM A SIMU-HZ TRANSMITTER (EXCEPT A SEQUENTIAL HZ TRANSMITTER)
- USER SETTABLE FAVORITE INTERMEDIATE POSITION



POWER SUPPLY 120V - 60 Hz, CABLE 2.5 METERS

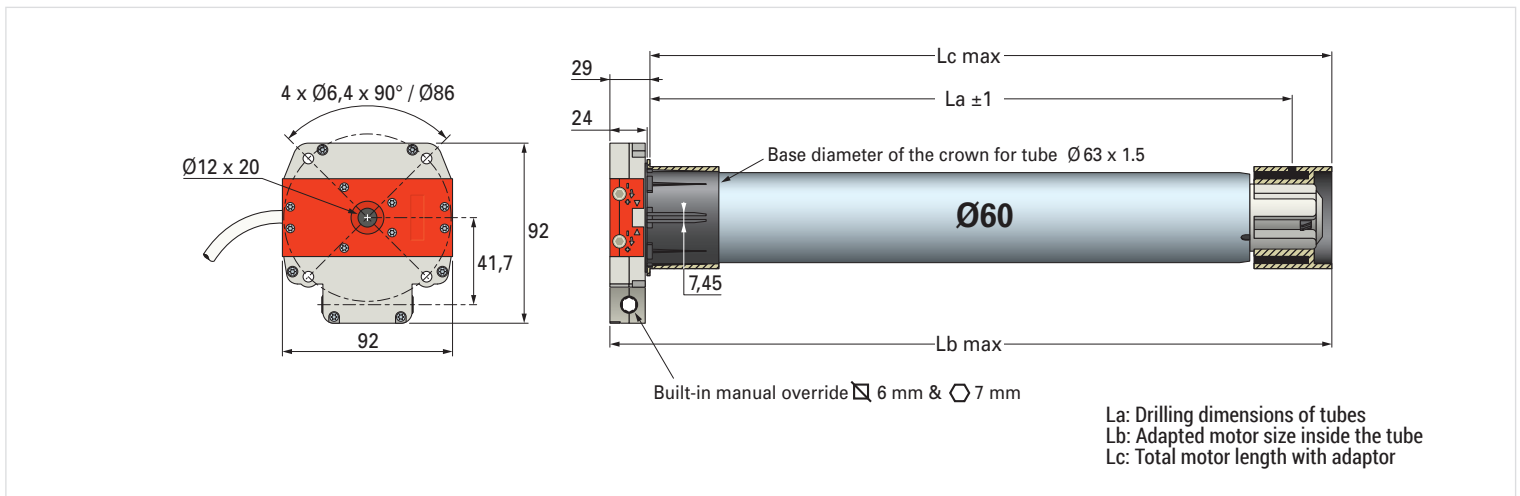
DESCRIPTION	TORQUE	SPEED	POWER	CURRENT	La	Lb	Lc	WEIGHT	REFERENCE
T6 Hz02 - 60/14	60 Nm	14 rpm	285 W	2.5 A	716 mm	729 mm	758 mm	5 kg	2006060
T6 Hz02 - 80/14	80 Nm	14 rpm	390 W	3.4 A	716 mm	729 mm	758 mm	5.4 kg	2006061
T6 Hz02 - 100/14	100 Nm	14 rpm	430 W	3.8 A	716 mm	729 mm	758 mm	5.6 kg	2006062

- POWER SUPPLY** 120 Volts - 60 Hz
- THERMAL CUT-OUT** 5 minutes (120V)
- ELECTRONIC END-LIMIT** Limited to 3 min.
- PROTECTION INDEX** IP 44
- POWER CABLE 120V** 2.5 meters
- RADIO FREQUENCY** 433.42 MHz
- SECURE COMMUNICATION** Encrypted control orders + Rolling code with 16 million possible combinations
- BASE DIAMETER OF THE CROWN** Ø60 mm
- MOTOR HEAD THICKNESS** 29 mm
- INSULATION CLASS** Class I motor
- COMPLIANCE** UL325
- CERTIFICATION**

DMI6 HZ.01 MOTOR RADIO



- MOTOR WITH BUILT-IN SIMU-HZ RADIO RECEIVER
- BUILT-IN MANUAL OVERRIDE
- PROGRESSIVE END-LIMIT SYSTEM
- PASS-THROUGH LIMITS ALLOW EASY LIMIT SETTING FROM EITHER SIDE
- COMPACT MOTOR HEAD ONLY 24 MM THICKNESS



POWER SUPPLY 120V - 60 Hz, CABLE 6 METERS

DESCRIPTION	TORQUE	SPEED	POWER	CURRENT	La	Lb	Lc	WEIGHT	REFERENCE
DMI6 Hz01 - 60/14	60 Nm	14 rpm	285 W	2.5 A	836 mm	849 mm	878 mm	5.8 kg	2007145
DMI6 Hz01 - 80/14	80 Nm	14 rpm	390 W	3.4 A	836 mm	849 mm	878 mm	6.1 kg	2007146
DMI6 Hz01 - 100/14	100 Nm	14 rpm	430 W	3.8 A	836 mm	849 mm	878 mm	6.4 kg	2007156

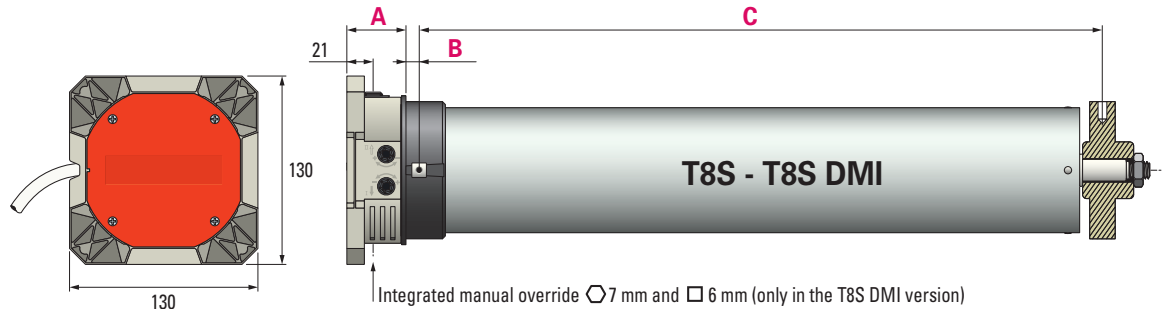
- POWER SUPPLY** 120 Volts - 60 Hz
- THERMAL CUT-OUT** 5 minutes (120V)
- PROGRESSIVE END-LIMIT** Capacity of 28 revolutions
- MANUAL OVERRIDE GEAR RATIO** 55/1
- PROTECTION INDEX** IP 44
- POWER CABLE 120V** 6 meters + NEMA plug
- RADIO FREQUENCY** 433.42 MHz
- SECURE COMMUNICATION** Encrypted control orders + Rolling code with 16 million possible combinations
- BASE DIAMETER OF THE CROWN** 60 mm
- MOTOR HEAD THICKNESS** 24 mm
- INSULATION CLASS** Class I motor
- COMPLIANCE** UL325



T8S & T8SDMI MOTORS WIRED SINGLE-PHASE



- **NARROW MOTOR HEAD, ONLY 43 MM THICK, WITH OR WITHOUT INTEGRATED MANUAL OVERRIDE: OPTIMIZED FOR INSTALLATION BETWEEN WALLS, WITH METAL STUD OF 50 MM WIDTH, AND SAFETY BRAKE ON THE OPPOSITE SIDE**
- **FLEXIBILITY OF INSTALLATION: THE MOTOR HEAD WITH SQUARE SHAPE, 4 MOUNTING POSITIONS, AND ITS ADJUSTABLE BRACKET ALLOWS A POSITIONING OF THE MOTOR HEAD WITHOUT ANY CONSTRAINT, ADAPTING TO ALL ORIENTATIONS**



DESCRIPTION	MANUAL OVERRIDE		LENGTH A		LENGTH B		LENGTH C	
	WITHOUT	WITH	*	**	*	**	*	**
T8S	x		43 mm*	49 mm**	8 mm*	18 mm**	609 mm*	595 mm**
T8S DMI		x	43 mm*	49 mm**	8 mm*	18 mm**	659 mm*	645 mm**

* Length with adaptor < 119mm and with adjustable adaptor 99-108mm

** Length with adaptor ≥ 119mm

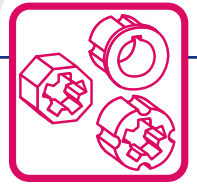
POWER SUPPLY 120V - 60 Hz

DESCRIPTION	TORQUE	SPEED	POWER	CURRENT	END-LIMIT CAPACITY	BASE DIAMETER	WEIGHT	REFERENCE without safety end-limit
T8S 200	200 Nm	10 rpm	620 W	5.3 A	17 revolutions	94 mm	13.72 kg	2008288
T8S DMI 200	200 Nm	10 rpm	620 W	5.3 A	17 revolutions	94 mm	15.14 kg	2008302
T8S DMI 280	280 Nm	10 rpm	820 W	6.9 A	17 revolutions	94 mm	15.22 kg	2008303

POWER SUPPLY 120 Volts - 60 Hz
PROGRESSIVE END-LIMIT Capacity of 17 revolutions
MOTOR HEAD THICKNESS 43 mm
THERMAL CUT-OUT 5 minutes (120V)
T8S DMI MANUAL OVERRIDE GEAR RATIO 190/1
PROTECTION INDEX IP 44
POWER CABLE 120V 0.7 metres
CYCLES PER DAY 10 cycles non consecutive
COMPLIANCE UL325

CERTIFICATIONS

ADAPTOR SETS



Ø50 MOTORS

TUBE	DRIVE HUB	CROWN	DESCRIPTION	REFERENCE
			Adaptor set for 60 mm round tube	9521028
			Adaptor set for 60 mm round tube aluminum drive wheel	9012813
			Adaptor set for Gaviota/Simbac octagonal 60 tube	9521031
			Adaptor set for 60 mm octagonal tube aluminum drive wheel	9012814
			Adaptor set for Dohner octagonal 70 tube	9521021
			Adaptor set for 70 mm octagonal tube aluminum drive wheel	9012812

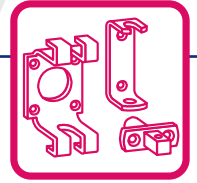
Ø60 MOTORS

		-	Adaptor set for 2.5" (60 mm) round drive soft clip	9206041
		-	Adaptor set for 60 mm round drive aluminum	9012950
			Adaptor set for Gaviota/Simbac octagonal 70 tube 1.2 mm thickness with drive hub stop	9530117
			Adaptor set for 70 mm octagonal tube aluminum drive wheel	9018630
			Adaptor set for 101.6 x 3.6 mm tube	9530124

Ø80 MOTORS

		-	Adaptor set for T8 94 mm round drive	9001297
			Adaptor set for T8 97 mm round set	9001312

BRACKETS



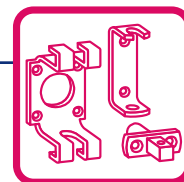
Ø50 MOTORS

BRACKET	APPLICATION	MAX TORQUE	DESCRIPTION	REFERENCE
	END CAP SYSTEM	50 Nm	Double clip bracket 80 x 80 mm	9520049
	WALL INTEGRATED SYSTEM	30 Nm	T5 bracket Ø 6.5 mm F 90° holes 30 mm inter-axle	9520076
	END CAP SYSTEM	50 Nm	Imbac plate 100 x 100 mm	9520187

Ø60 MOTORS

BRACKET	APPLICATION	MAX TORQUE	DESCRIPTION	REFERENCE
	END CAP SYSTEM	120 Nm	Plate 100x100 - T6	9530018
	WALL INTEGRATED SYSTEM	-	T6 bracket Ø6.5mm F 90° holes	9530051

BRACKETS



DMI MOTORS

BRACKET	APPLICATION	MAX TORQUE	DESCRIPTION	REFERENCE
	WALL INTEGRATED SYSTEM	100 Nm	DMI bracket 2 piece inside mount	9520074
	END CAP SYSTEM	120 Nm	Plate 100 x 100 mm with 2 M6 x 25 mm bolts	9706034

T8S AND T8SDMI MOTORS

BRACKET	APPLICATION	MAX TORQUE	DESCRIPTION	REFERENCE
	WALL INTEGRATED SYSTEM	280 Nm	Entraxle 175 x 175 mm	9018069

COMPATIBLE TRANSMITTERS AND CONTROLLERS



**MAINTAINED DECORATOR/DESIGNER SWITCH
SINGLE POLE (IVORY)
REF. 1800373**



**MAINTAINED DECORATOR/DESIGNER SWITCH
SINGLE POLE (WHITE)
REF. 1800374**



**MOMENTARY DECORATOR/DESIGNER SWITCH
SINGLE POLE (IVORY)
REF. 1800377**



**MOMENTARY DECORATOR/DESIGNER SWITCH
SINGLE POLE (WHITE)
REF. 1800378**

WIRED



MAINTAINED TOGGLE SWITCH,
SINGLE POLE (IVORY)
REF. 1800380



MAINTAINED TOGGLE SWITCH,
SINGLE POLE (WHITE)
REF. 1800381



MOMENTARY TOGGLE SWITCH,
SINGLE POLE (IVORY)
REF. 1800382



MOMENTARY TOGGLE SWITCH,
SINGLE POLE (WHITE)
REF. 1800383



UNIVERSAL KEY SWITCH
REF. 2004964



MOMENTARY SURFACE MOUNT KEY SWITCH
REF. 2001548

COMPATIBLE HZ TRANSMITTERS AND CONTROLLERS



**HZ MOBILE TRANSMITTER
1 CHANNEL
REF. 2008805**



**HZ TRANSMITTER
16 CHANNEL HANDHELD
REF. 2007350**



**HZ MOBILE TRANSMITTER
5 CHANNEL
REF. 2008806**



**HZ SURFACE MOUNTED WIRELESS
WALL SWITCH, 1 CHANNEL
REF. 2008577**

RADIO



**HZ TRANSMITTER 4 CHANNEL KEY CHAIN
SEQUENCING (BLACK)
REF. 2008329**



SOMFY SYSTEMS, INC

SOMFY NORTH AMERICAN HEADQUARTERS

121 Herrod Blvd.
Dayton, NJ 08810
T: (800) 22-SOMFY (76639)
NJ: (609) 395-1300
F: (609) 395-1776

FLORIDA

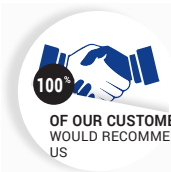
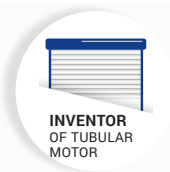
1200 SW 35th Ave.
Boynton Beach, FL 33426
T: (800) 22-SOMFY (76639)
F: (561) 995-7502

CALIFORNIA

15301 Barranca Parkway
Irvine, CA 92618-2201
T: (800) 22-SOMFY (76639)
F: (949) 727-3775

SOMFY ULC

SOMFY Canada Division
6411 Edwards Blvd
Mississauga, ON L5T 2P7
T: 1-800-66-SOMFY (76639)
CN: (905) 564-6446
F: (905) 238-1491



www.simu.com

